

FOB90' EAT82860

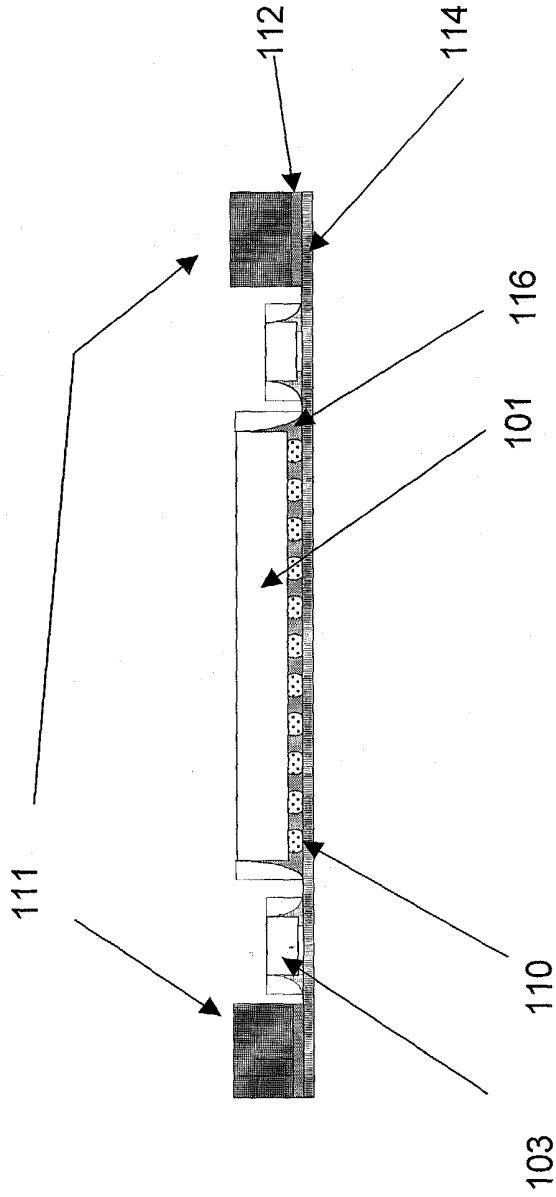


Figure 1A

FORN' EFB/860

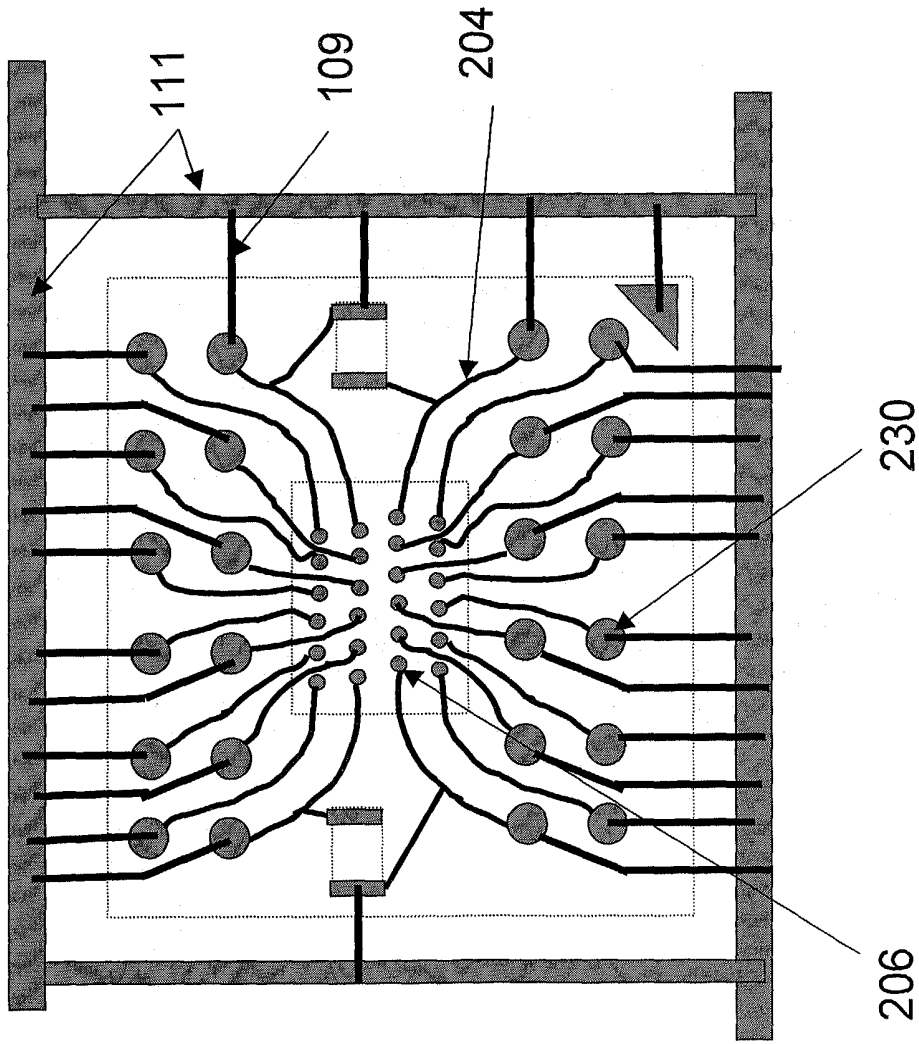


Figure 1B

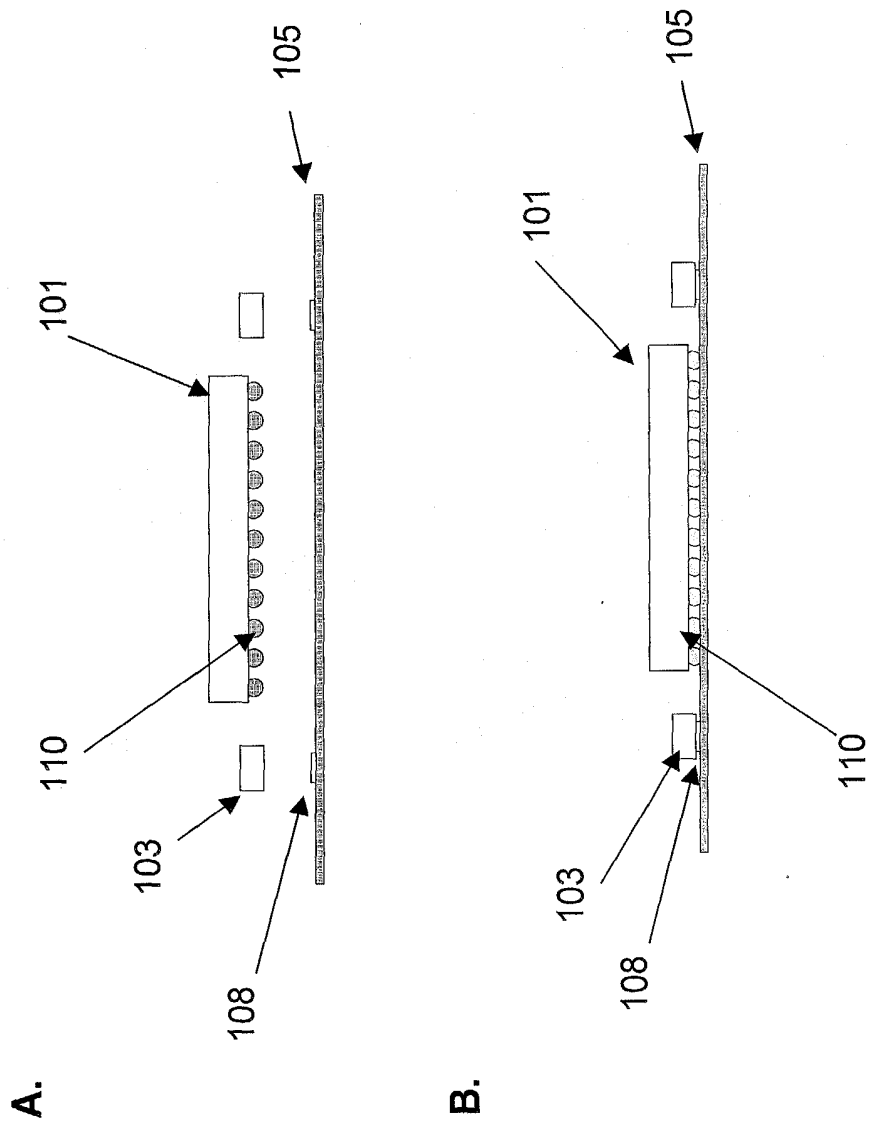


Figure 2

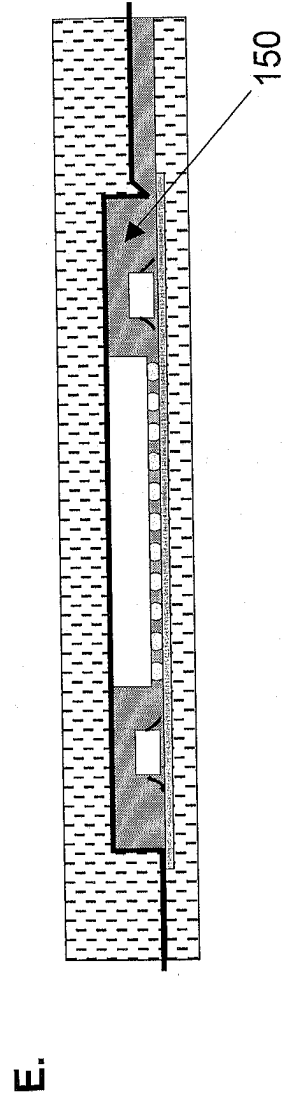
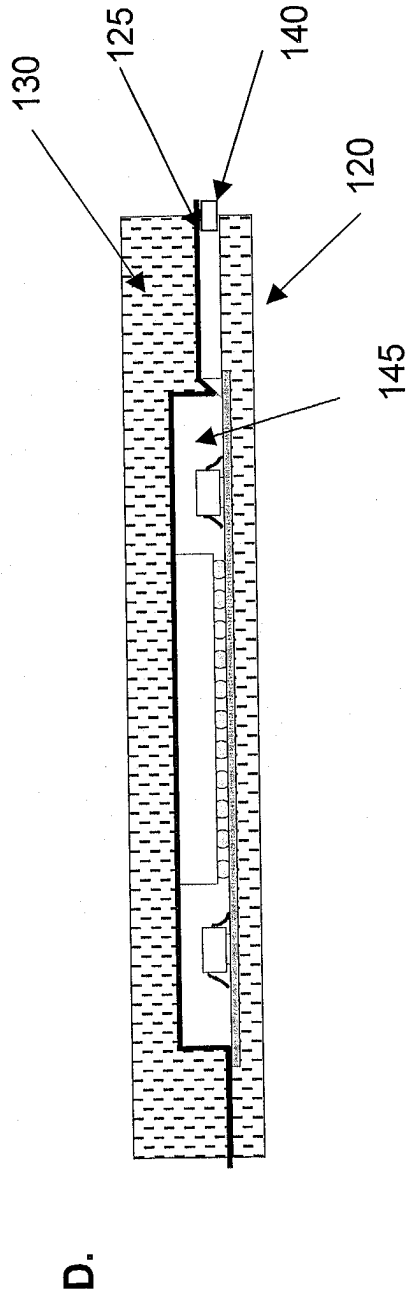
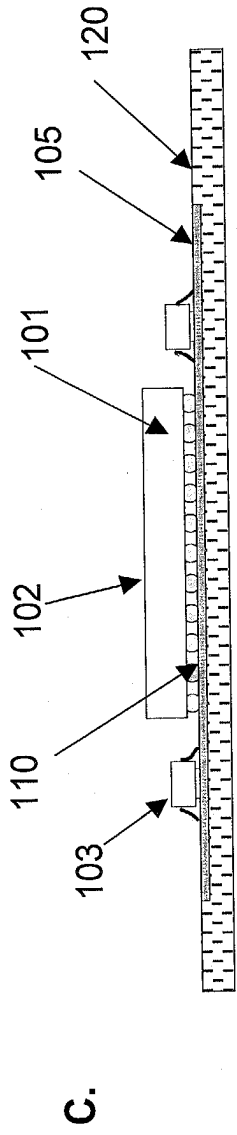


FIG. 2

FOUO 282860

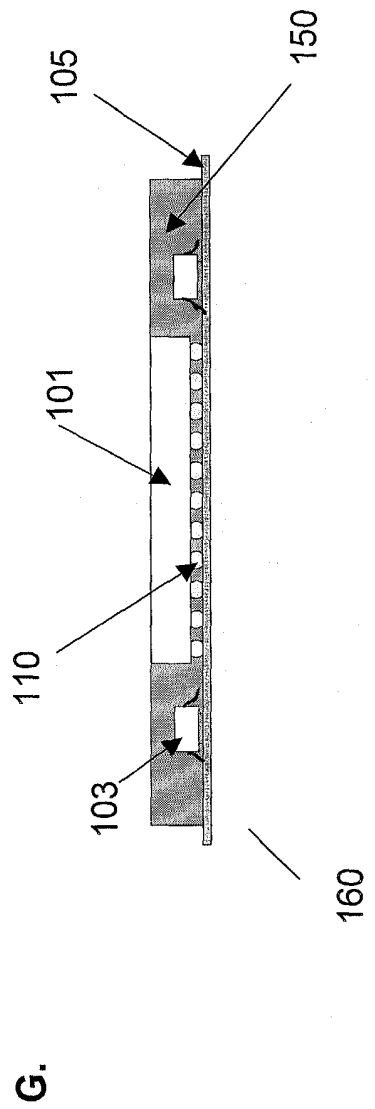
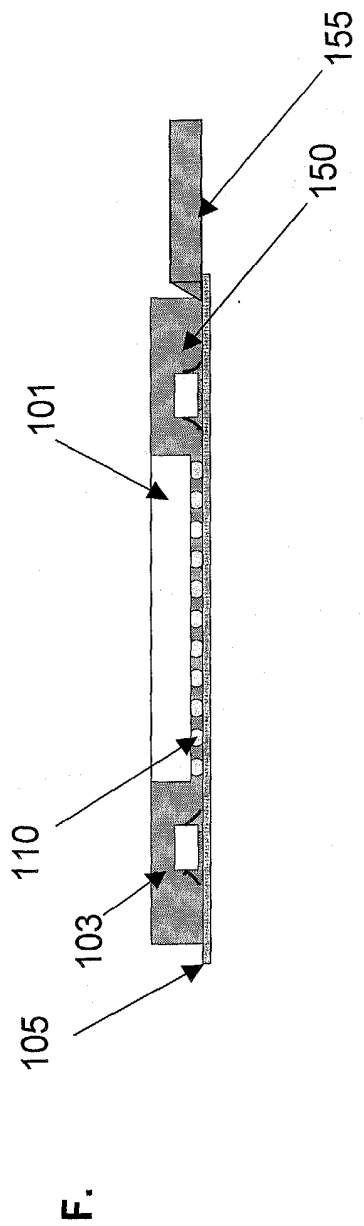


FIG. 2

FORN 2284860

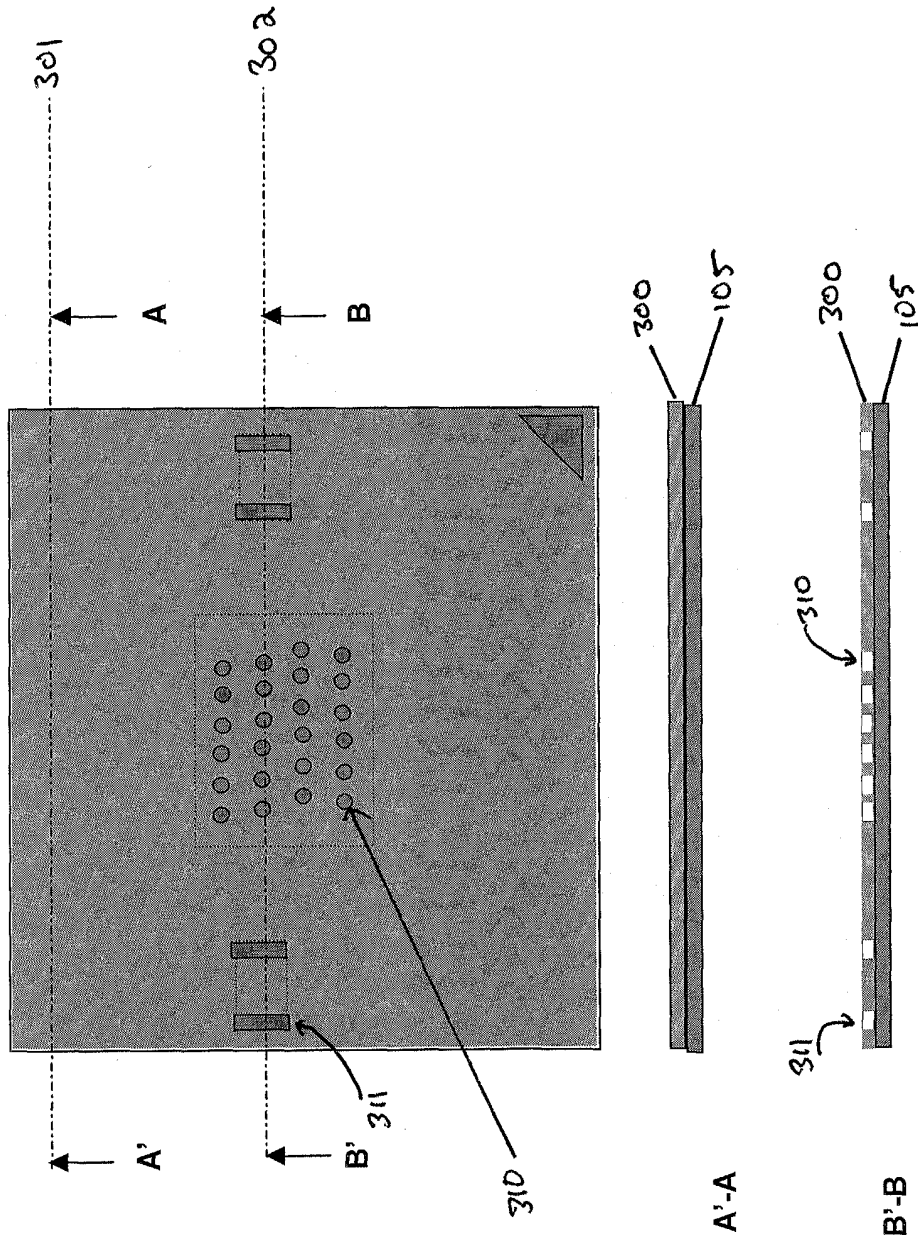
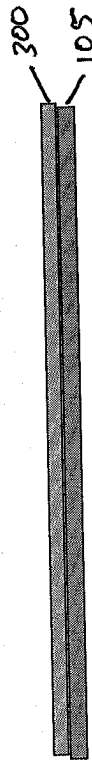
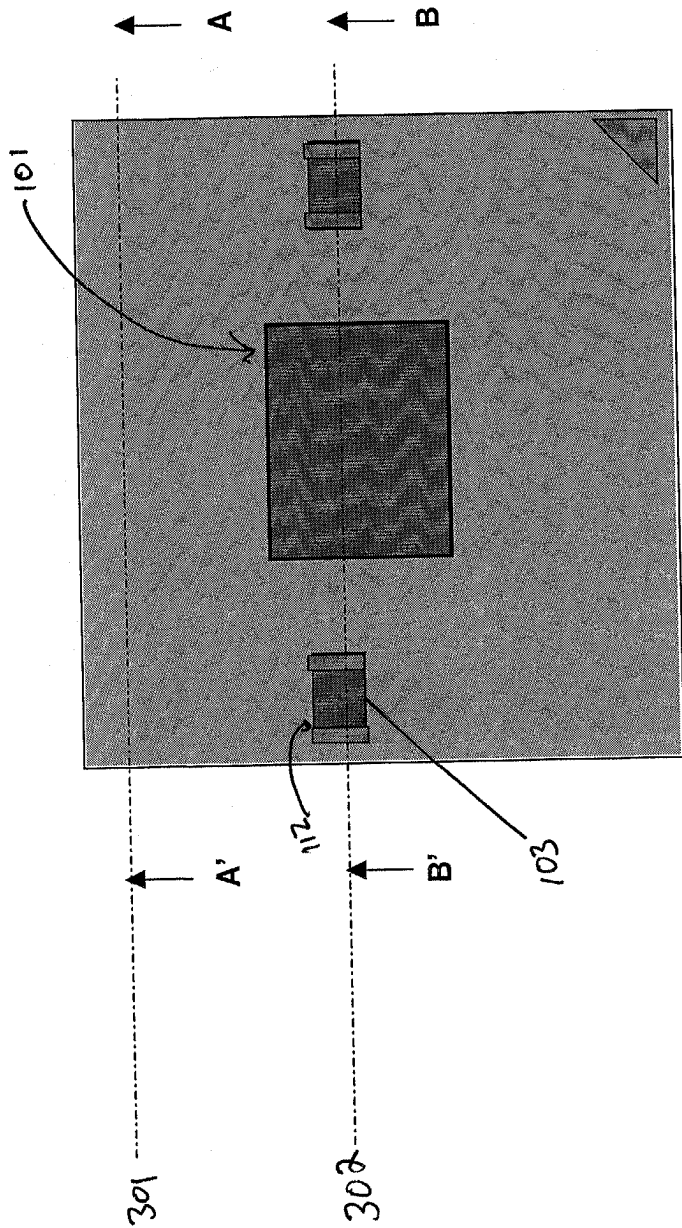
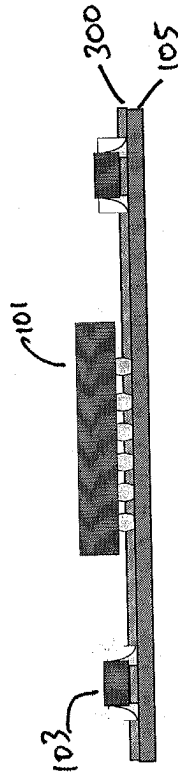


Figure 3A

FIG. 3B



A'-A



B'-B

Figure 3B

FORBIDDEN BY PATENT

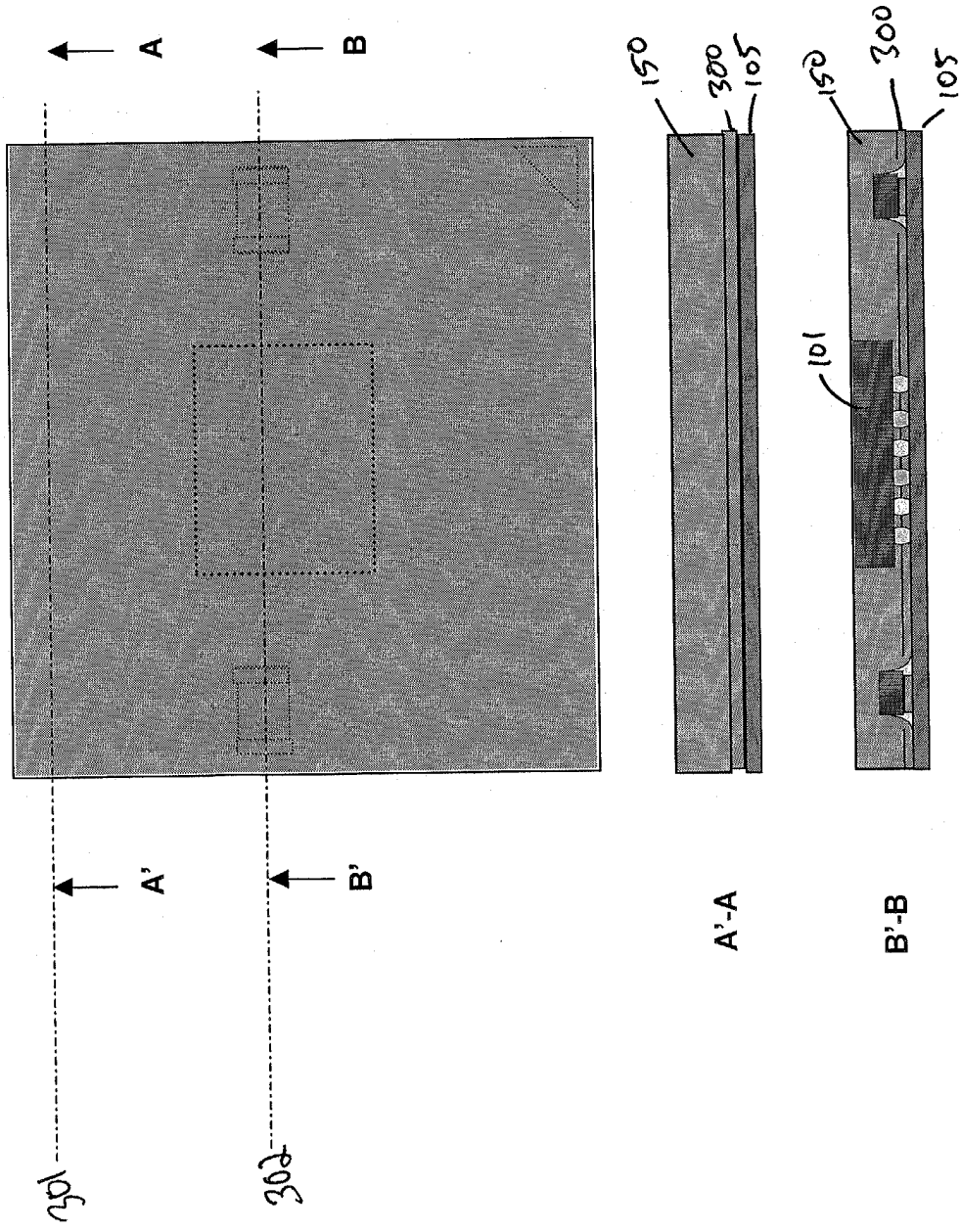


Figure 3C

FIG. 3D

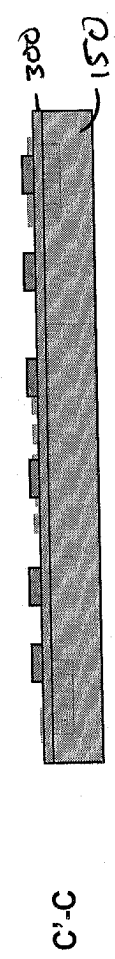
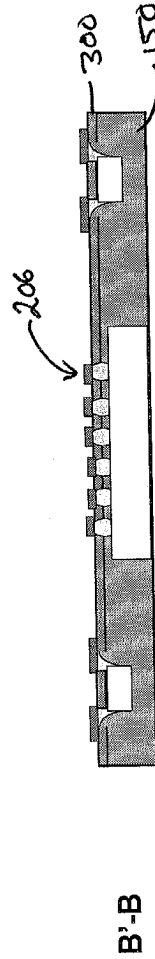
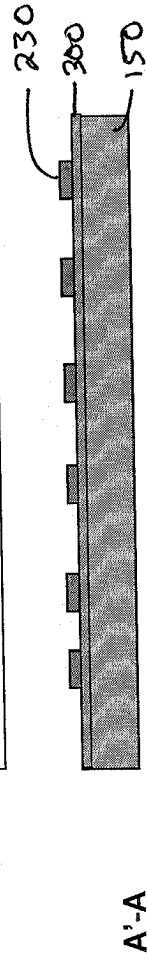
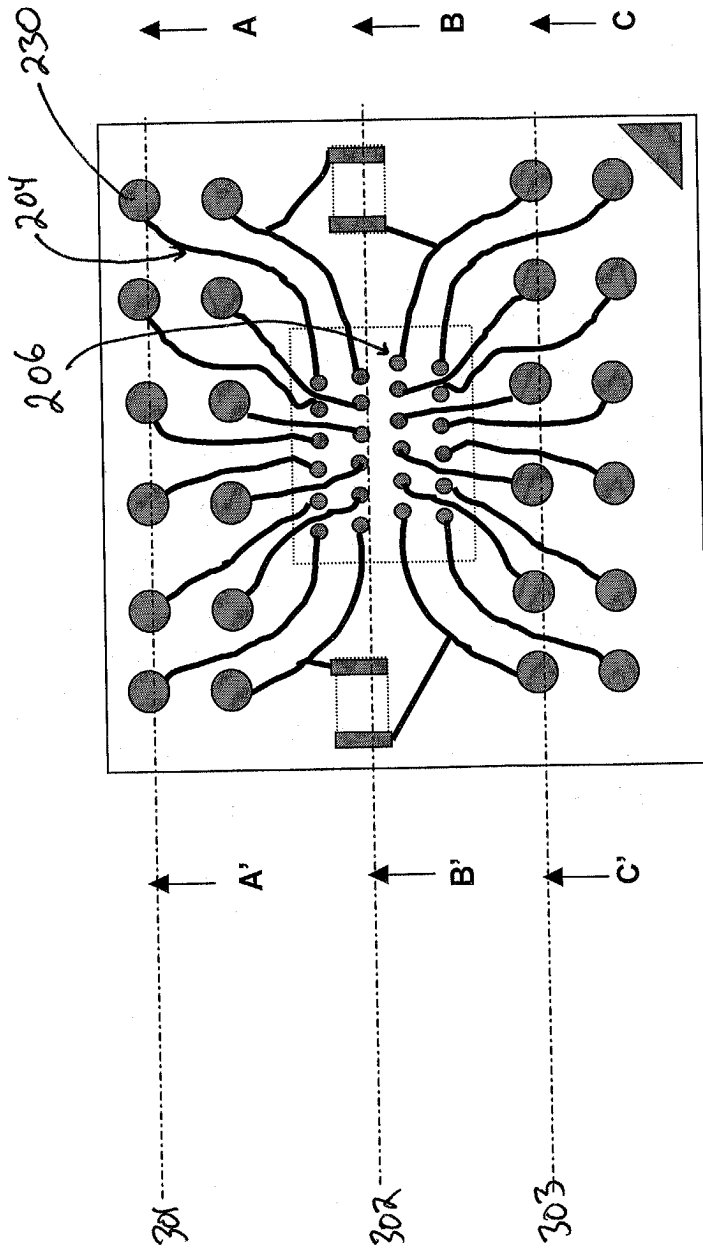


Figure 3D

FIG. 3E

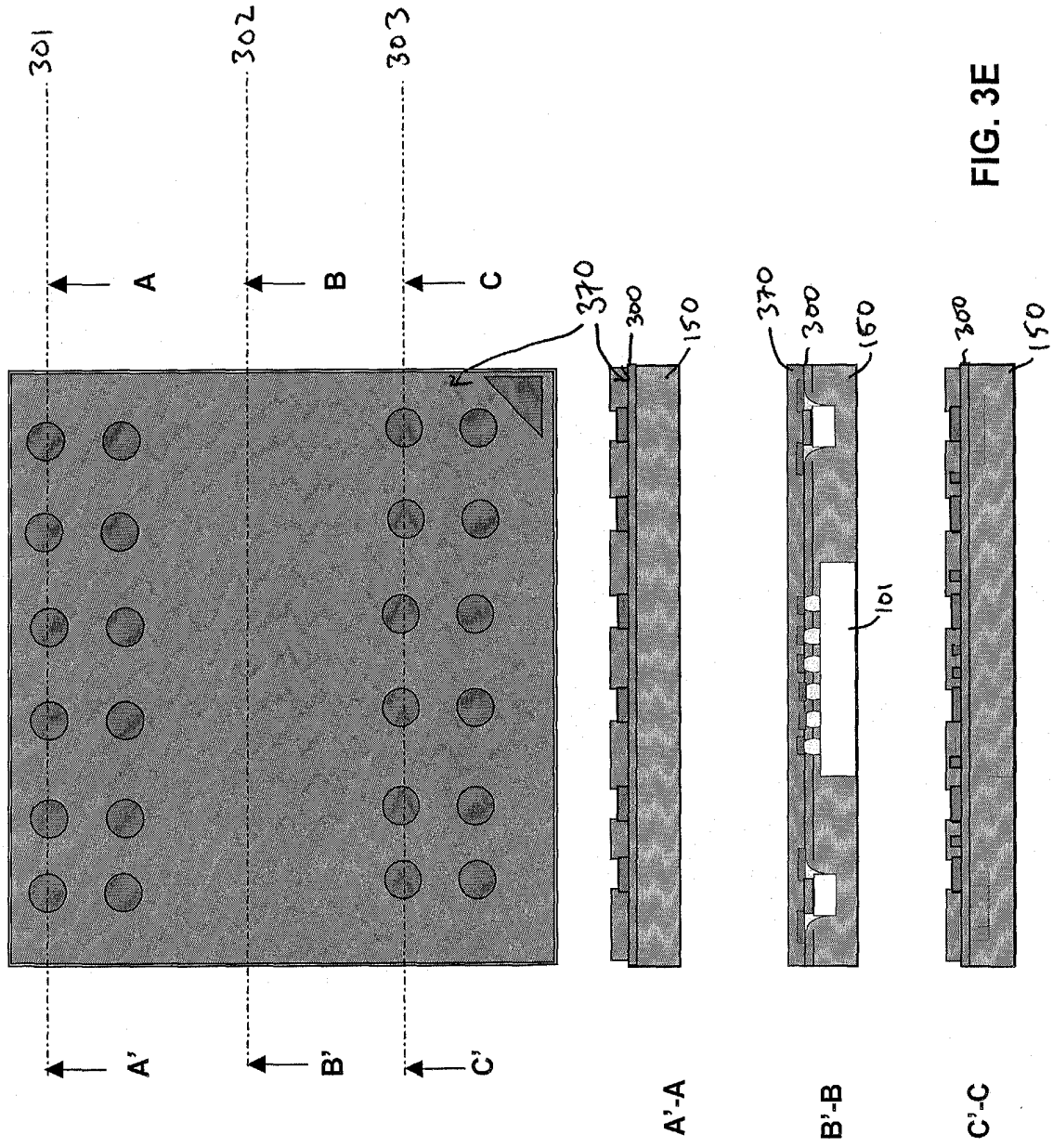


FIG. 3E

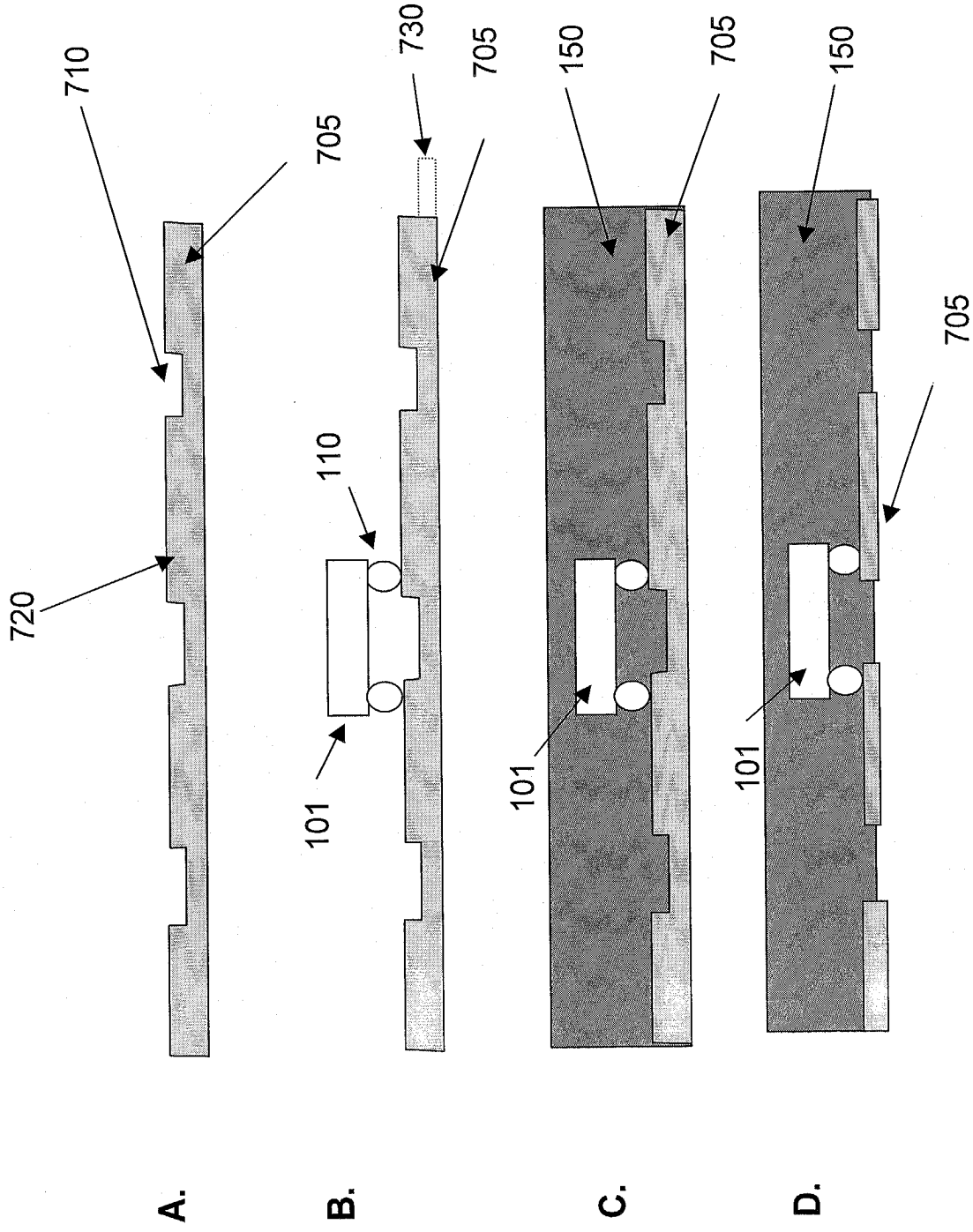


FIG. 4

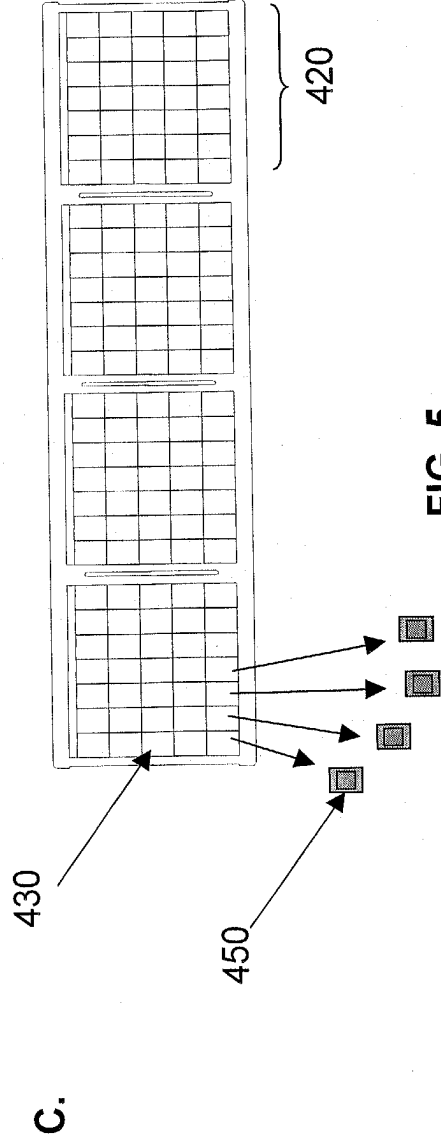
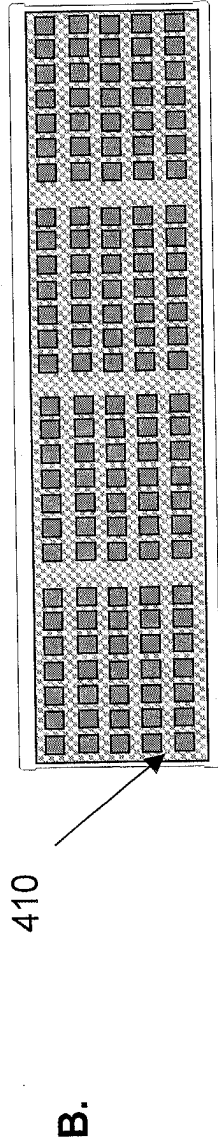
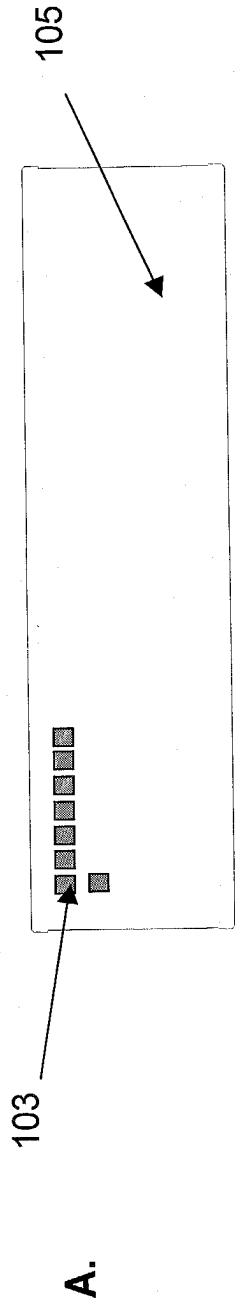


FIG. 5

TOP SECRET

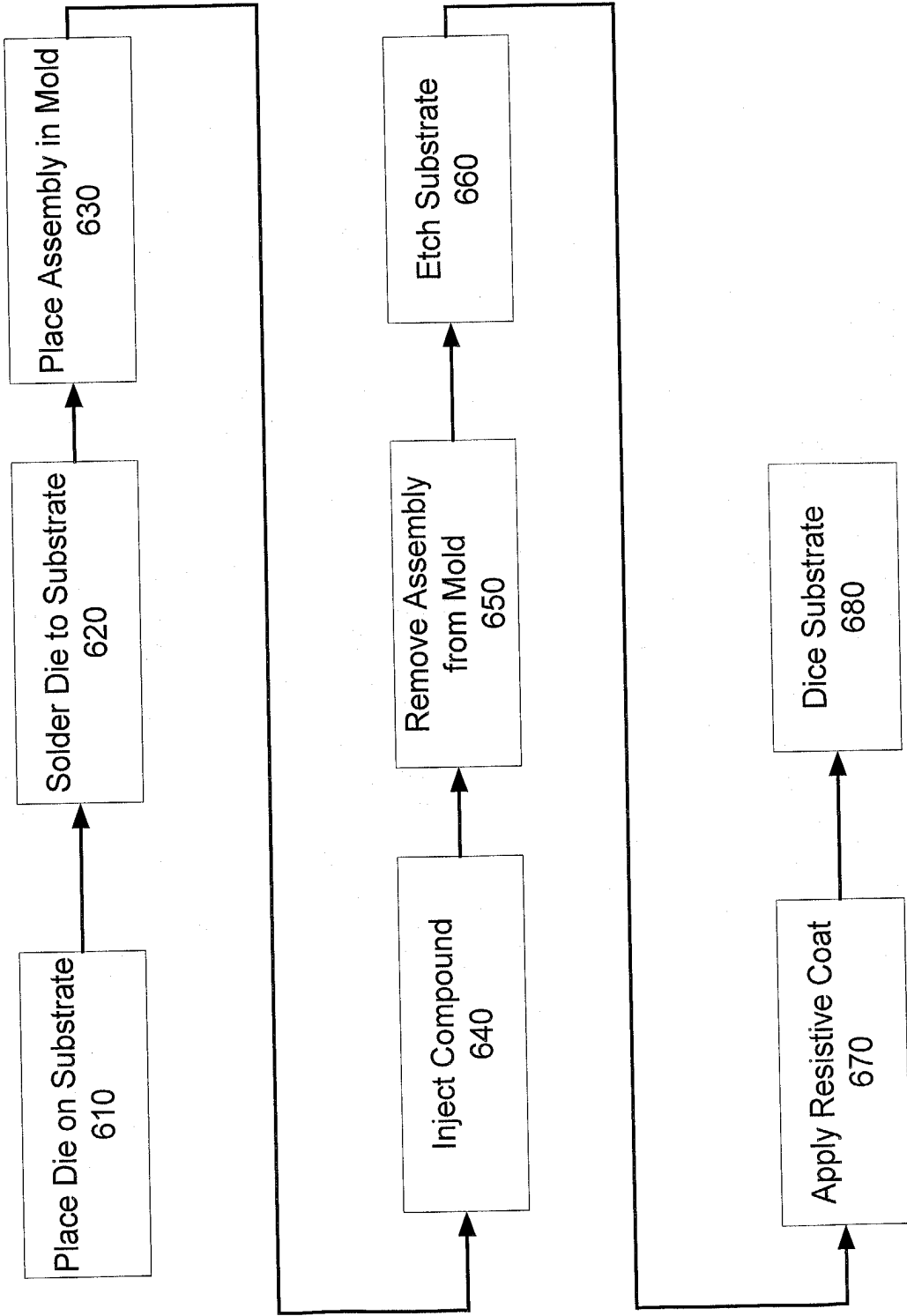


Figure 6

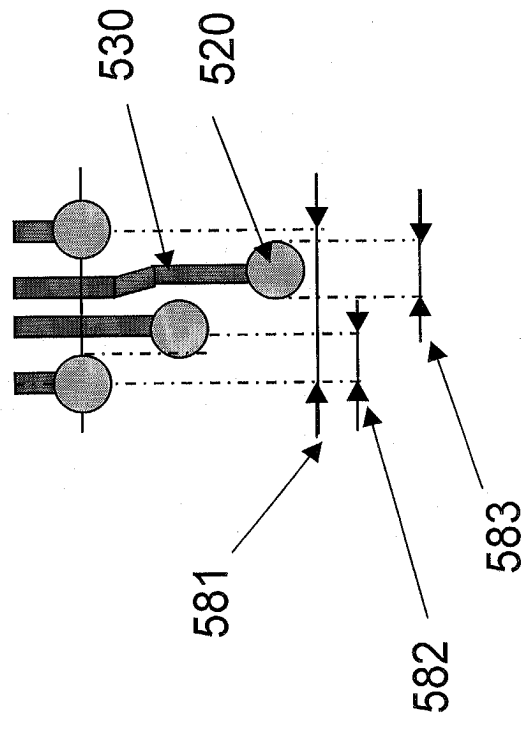


FIG. 7

FIG. 8

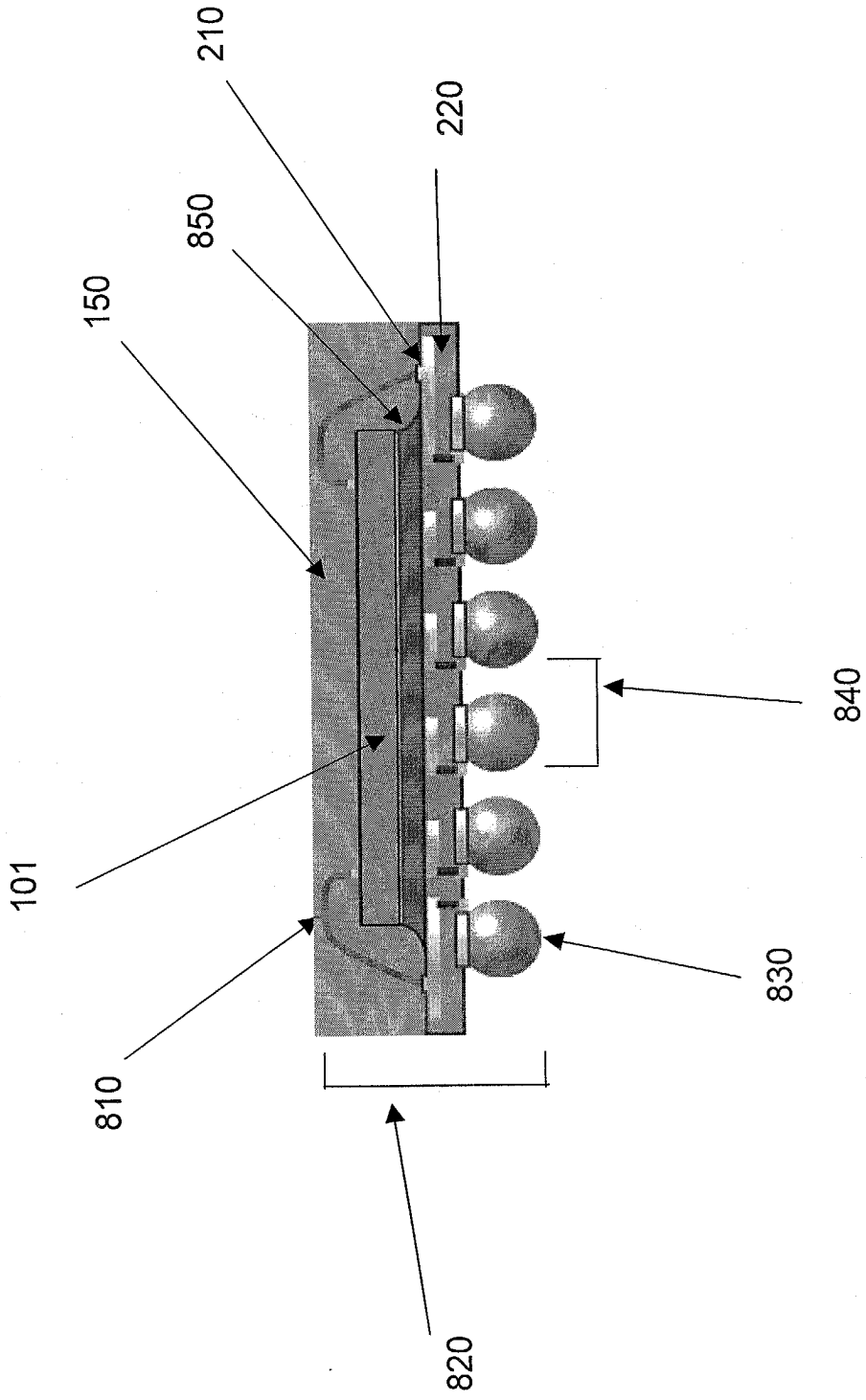


FIG. 8